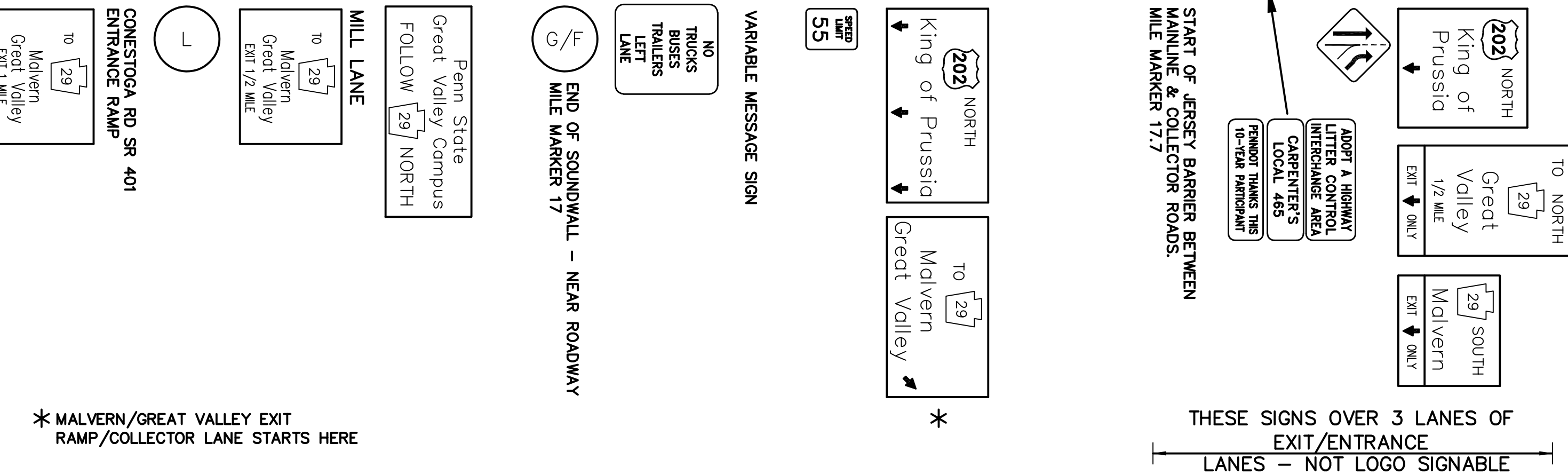
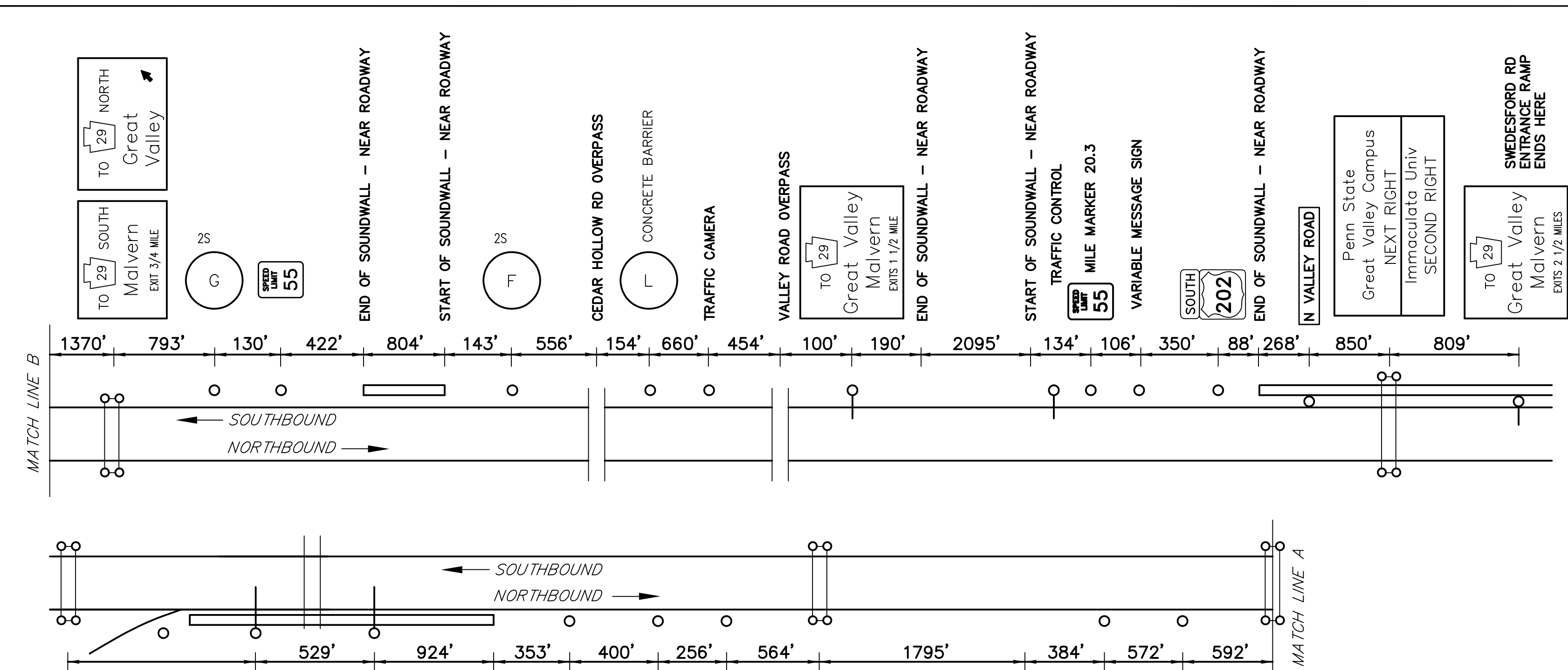


TABULATION OF QUANTITIES		
ITEM	UNIT	QUANTITY
POST MOUNTED SIGNS, TYPE A, LOGO	SQ.FT.	-
POST MOUNTED SIGNS, TYPE B, LOGO	SQ.FT.	-
POST MOUNTED SIGNS, TYPE C, LOGO	SQ.FT.	-
BREAKAWAY SYSTEMS	EACH	-
* STEEL S OR W BEAM POSTS	LBS.	-
LOGO SIGN MOUNTING	EACH	-
REMOVAL OF POST MOUNTED MOTORIST SERVICE SIGNS, TYPES A & E	EACH	-
REMOVAL OF POST MOUNTED MOTORIST SERVICE SIGNS, TYPES B, C & F	L.S.	-

- SYMBOLS**
- Existing Sign to Remain
  - △ Existing Sign to be Removed
  - Existing Sign Reset as Shown
  - NEW SIGN
  - × FUTURE SIGN
  - ⊘ Existing Utility Pole

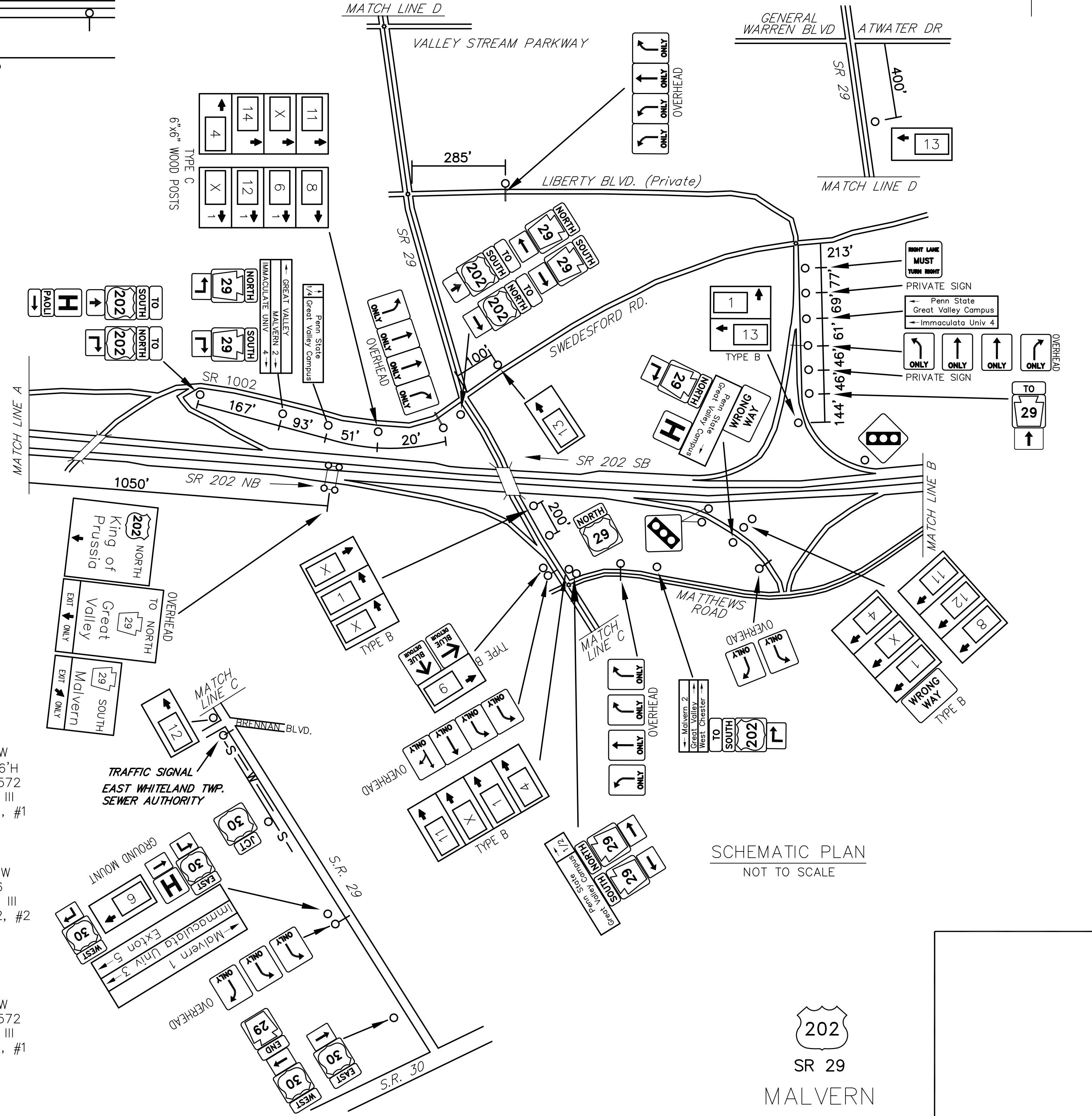
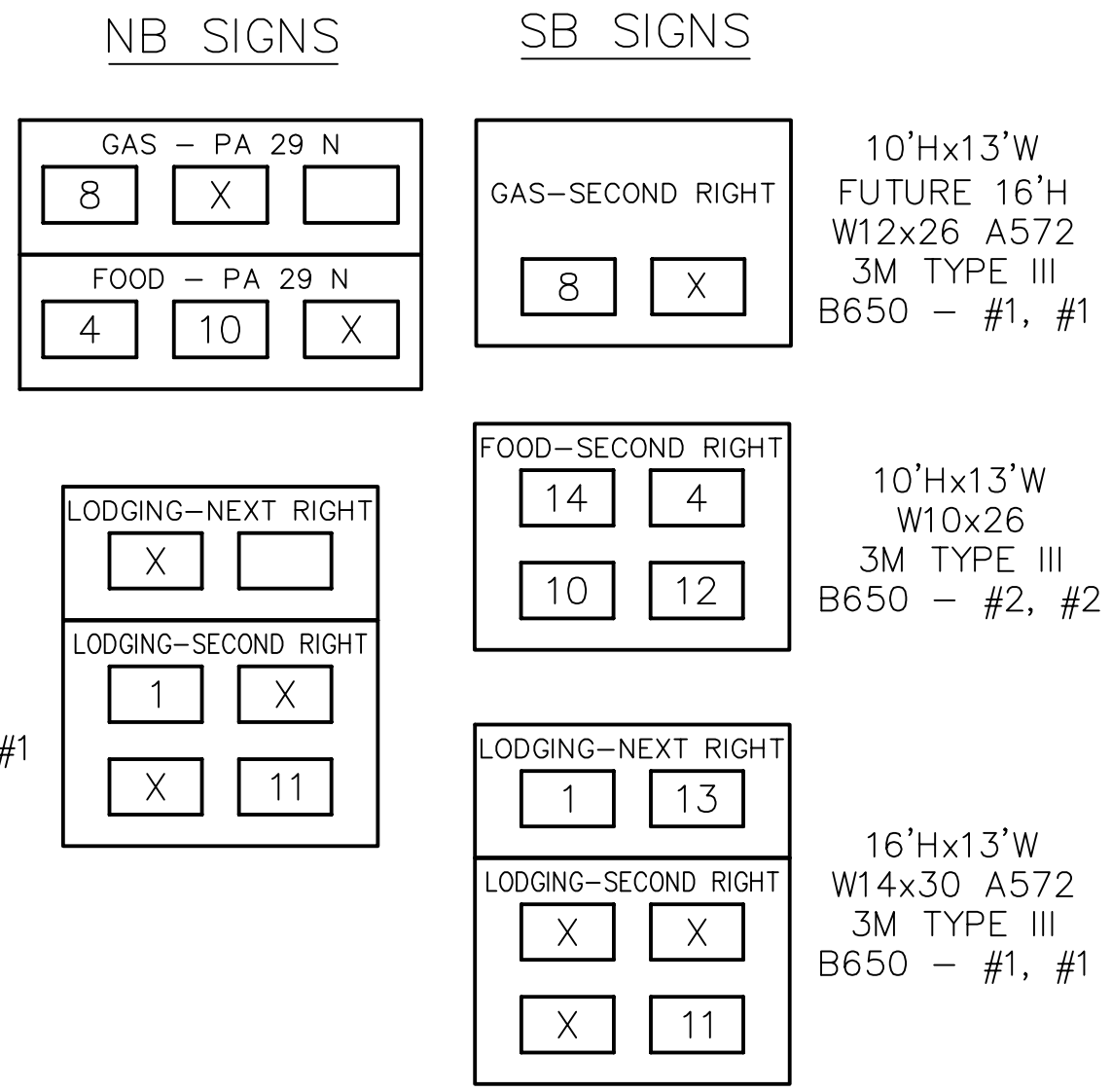


**LEGEND**

2S - GUIDE RAIL

MALVERN EXIT SPECIFIC INFORMATION PANEL			
LEGEND	DIRECTION	BUSINESS	LOGO NO.
GAS	NB/SB	WAWA (DIESEL)	8
FOOD	NB/SB	FRIENDLY'S	6
		WEGMANS MARKET CAFE	10
	SB	STARBUCKS	4
		PANERA BREAD	12
LODGING	NB/SB	CHIK-FIL-A (CLOSED SUNDAY)	14
		THE DESMOND	1
	SB	EXTENDED STAY AMERICA	11
		RESIDENCE INN	13

12'Hx19'W  
Installed by PennDOT



D:\STATE\_FILES\SR29\SR29\_01\SR29\_01.dwg - 15:10:15 (11/14/2014) - DISTRICT 06/CHESTER - 15:10:15 (11/14/2014) - 15:10:15 (11/14/2014)