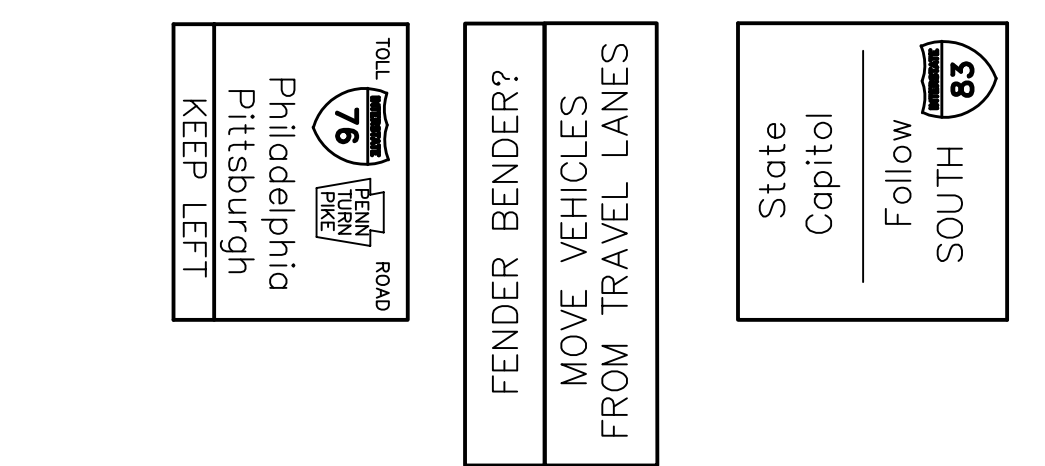
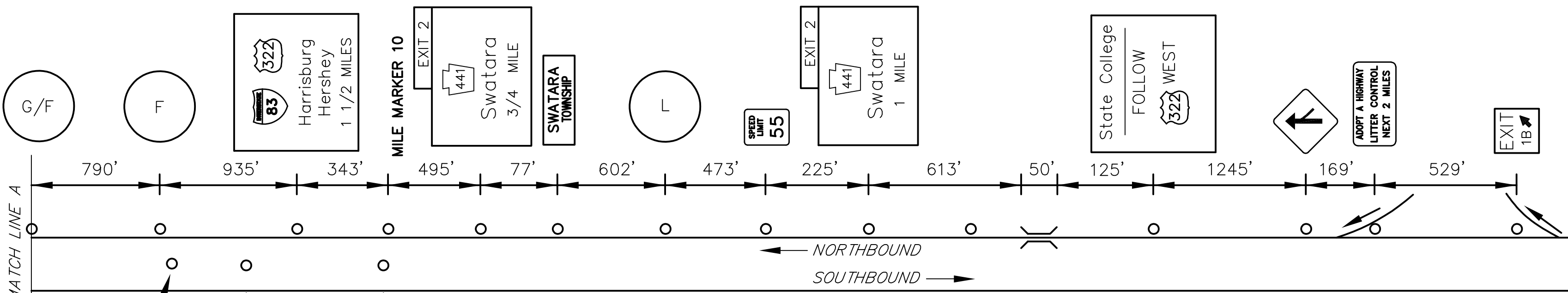


DISTRICT	COUNTY	ROUTE	PROJECT	SHEET
8-0	DAUPHIN	I-283		
LOWER SWATARA AND SWATARA TOWNSHIP REVISIONS				



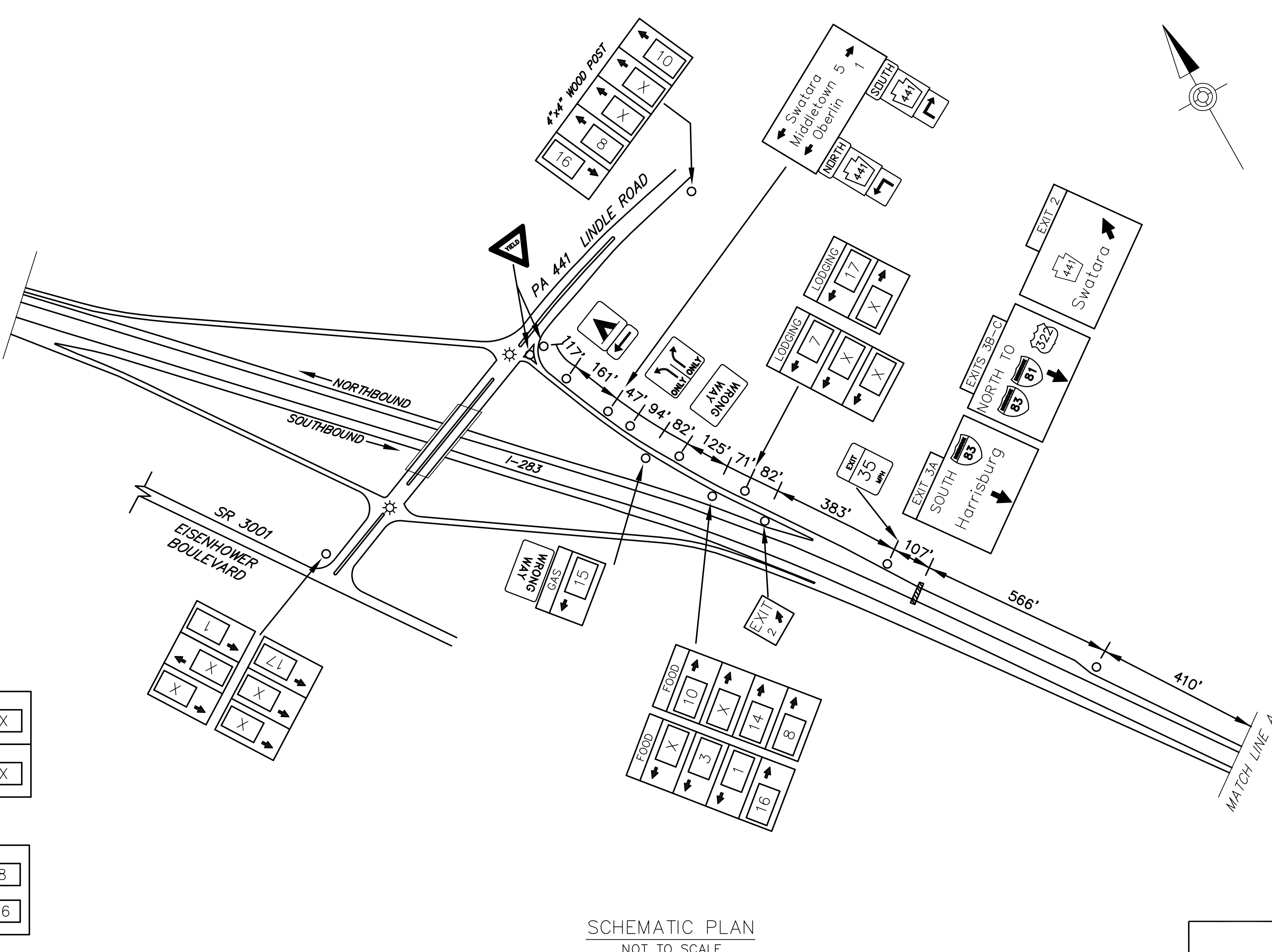
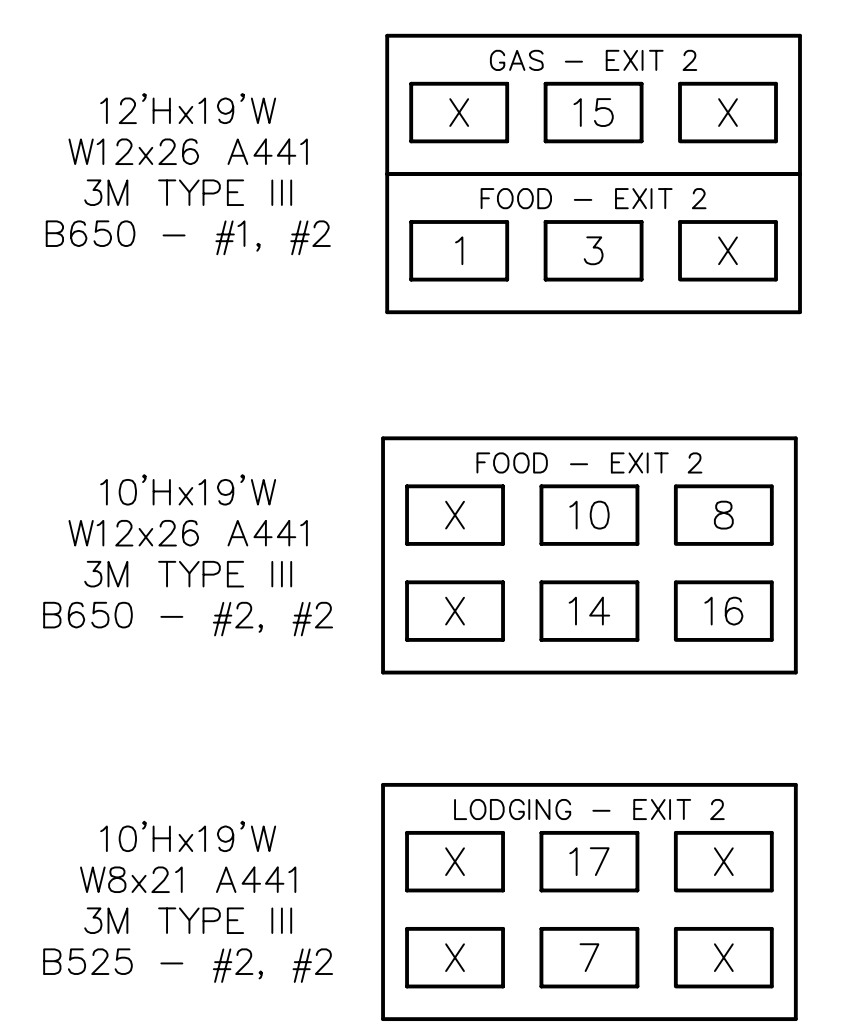
SOUTHBOUND - NOT ELIGIBLE INSUFFICIENT SPACE

MAINLINE SCHEMATIC
NOT TO SCALE

FREEWAY LANE CLOSURES & RESTRICTIONS
ONLY PERMITTED BETWEEN 9:00 PM AND 6:00 AM MONDAY THRU FRIDAY.
DO NOT WORK DURING HOLIDAY PERIODS.

EXIT 2 SPECIFIC INFORMATION PANEL			
LEGEND	DIRECTION	BUSINESS	LOGO NO.
GAS	NB	SHEETZ (DIESEL)	15
FOOD	NB	CAPITOL DINER (24 HRS)	3
		PANERA BREAD	10
		McDONALD'S (24 HRS)	1
		FRIENDLY'S	8
		SHEETZ	14
		CHICK-FIL-A (CLOSED SUNDAY)	16
LODGING	NB		
		HOTEL INDIGO	7
		BEST WESTERN PLUS	17

NB SIGNS



SCHEMATIC PLAN
NOT TO SCALE

TABULATION OF QUANTITIES		
ITEM	UNIT	QUANTITY
POST MOUNTED SIGNS, TYPE A, LOGO	SQ.FT.	
POST MOUNTED SIGNS, TYPE B, LOGO	SQ.FT.	
POST MOUNTED SIGNS, TYPE C, LOGO	SQ.FT.	
BREAKAWAY SYSTEMS	EACH	
* STEEL S OR W BEAM POSTS	LBS.	
LOGO SIGN MOUNTING	EACH	
REMOVAL OF POST MOUNTED MOTORIST SERVICE SIGNS, TYPES A & E	EACH	
REMOVAL OF POST MOUNTED MOTORIST SERVICE SIGNS, TYPES B, C & F	L.S.	

* APPROXIMATE QUANTITY FOR INFORMATION ONLY

SYMBOLS	
○	Existing Sign to Remain
△	Existing Sign to be Removed
◻	Existing Sign Reset as Shown
●	NEW SIGN
×	FUTURE SIGN
∅	Existing Utility Pole

