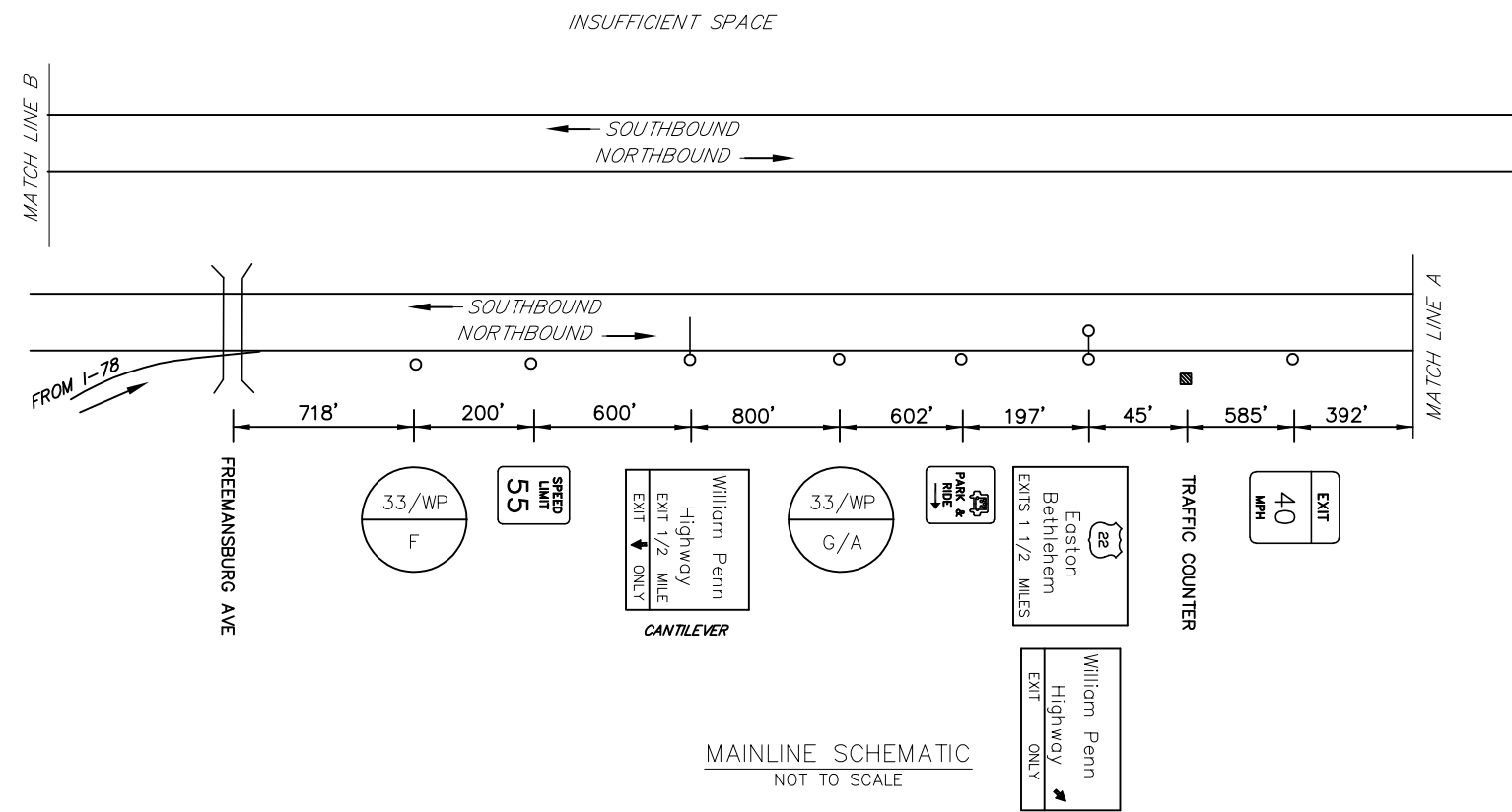


DISTRICT	COUNTY	ROUTE	PROJECT	SHEET
5-0	NORTHAMPTON	PA-33		
BETHLEHEM TOWNSHIP REVISIONS				

TABULATION OF QUANTITIES		
ITEM	UNIT	
POST MOUNTED SIGNS, TYPE A, LOGO	SQ.FT.	
POST MOUNTED SIGNS, TYPE B, LOGO	SQ.FT.	
POST MOUNTED SIGNS, TYPE C, LOGO	SQ.FT.	
BREAKAWAY SYSTEMS	EACH	
* STEEL S OR W BEAM POSTS	LBS.	
LOGO SIGN MOUNTING	EACH	
REMOVAL OF POST MOUNTED MOTORIST SERVICE SIGNS, TYPES B, C & F	L.S.	-

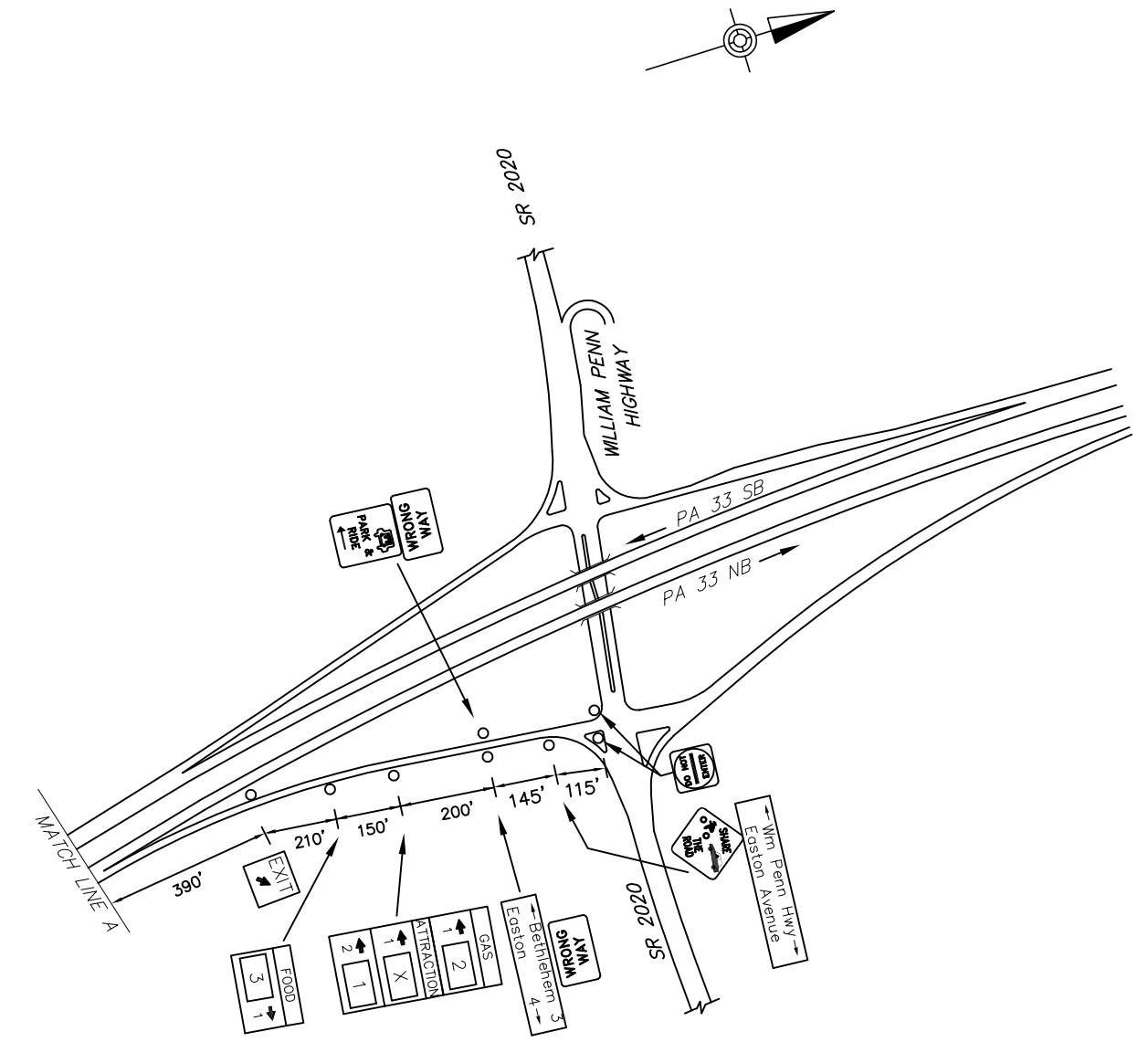
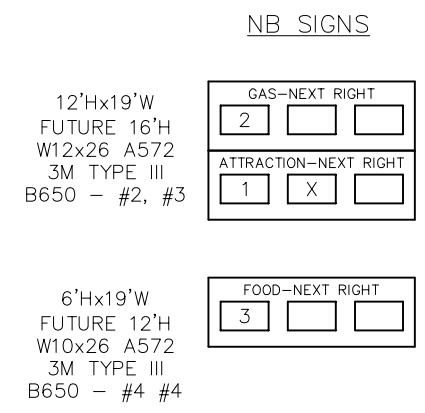
* APPROXIMATE QUANTITY FOR INFORMATION ONLY

SYMBOLS	
○	Existing Sign to Remain
△	Existing Sign to be Removed
□	Existing Sign Reset as Shown
●	NEW SIGN
×	FUTURE SIGN
⊙	Existing Utility Pole



NO LANE CLOSURES BETWEEN
6:00 AM & 9:00 AM AND
3:00 PM & 6:00 PM.
NO WORK PERMITTED DURING
HOLIDAY PERIODS.

WILLIAM PENN HWY. SPECIFIC INFORMATION PANEL			
LEGEND	DIRECTION	BUSINESS	LOGO NO.
GAS	NB	SUNOCO (24 HRS/DIESEL)	2
FOOD	NB	MARBLEHEAD CHOWDER HOUSE	3
ATTRACTION	NB	NORTHAMPTON COMMUNITY COLLEGE	1



33
SR 2020
WILLIAM PENN HWY.

I:\PROJECTS\2020\SR 2020\BETHLEHEM\SR 2020\DWG\SR 2020\SR 2020_01.DWG
 1/19/2020 10:56 AM
 4810-XX-SH-TX-93-EXT-WILLIAM PENN HWY