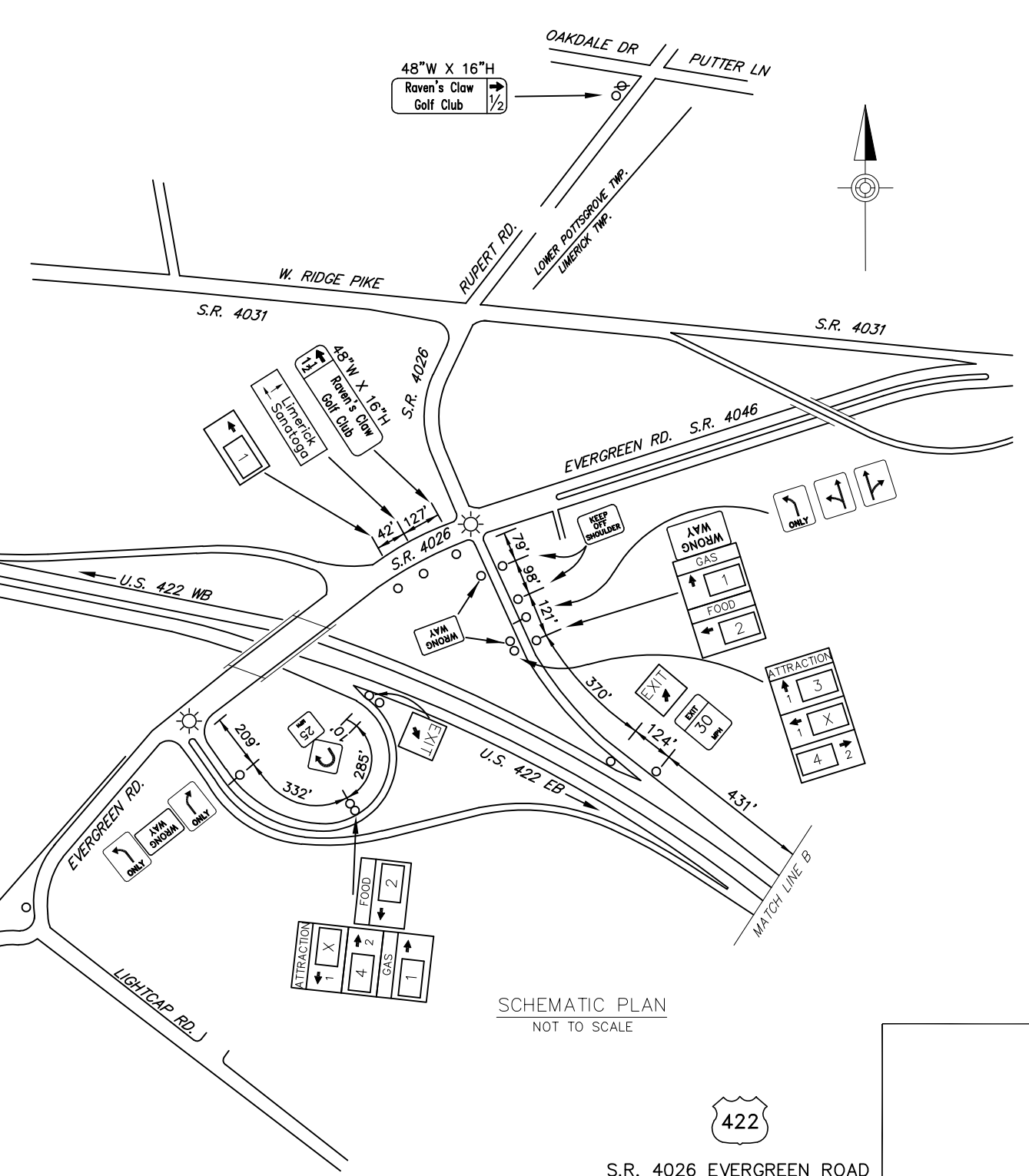
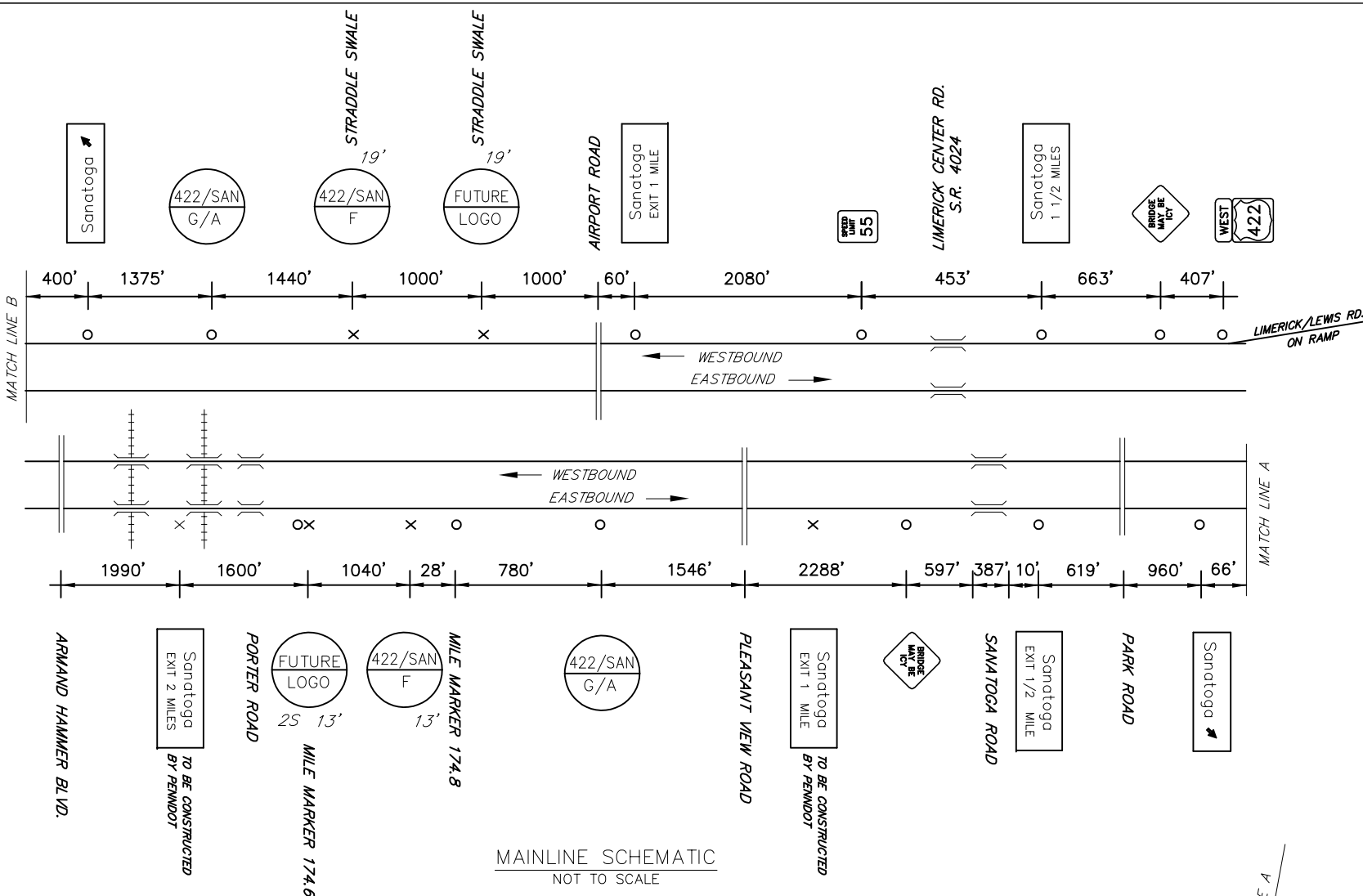


DISTRICT	COUNTY	ROUTE	PROJECT	SHEET
6-0	MONTGOMERY	US-422	LIMERICK & LOWER POTTS GROVE TOWNSHIPS	
REVISIONS				

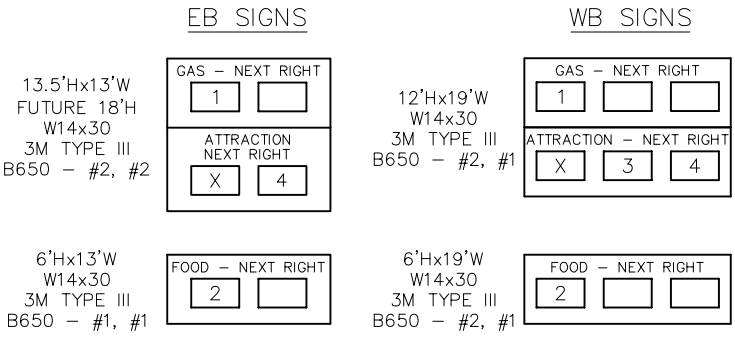
TABULATION OF QUANTITIES		
ITEM	UNIT	QUANTITY
POST MOUNTED SIGNS, TYPE A, LOGO	SQ.FT.	
POST MOUNTED SIGNS, TYPE B, LOGO	SQ.FT.	
POST MOUNTED SIGNS, TYPE C, LOGO	SQ.FT.	
BREAKAWAY SYSTEMS	EACH	
* STEEL S OR W BEAM POSTS	LBS.	
LOGO SIGN MOUNTING	EACH	
EXTRUDED PANEL REPLACEMENT	SQ.FT.	-
REMOVAL OF POST MOUNTED MOTORIST SERVICE SIGNS, TYPES B, C & F	L.S.	

SYMBOLS	
○	Existing Sign to Remain
△	Existing Sign to be Removed
◻	Existing Sign Reset as Shown
●	NEW SIGN
×	FUTURE SIGN
⊗	Existing Utility Pole



NO LANE CLOSURES BETWEEN
6:00 AM & 9:00 AM AND
3:00 PM & 6:00 PM
NO WORK PERMITTED DURING
HOLIDAY PERIODS.

SANATOGA EXIT SPECIFIC INFORMATION PANEL			
LEGEND	DIRECTION	BUSINESS	LOGO NO.
GAS	EB/WB	TURKEY HILL	1
FOOD	EB/WB	CHICK-FIL-A (CLOSED SUNDAY)	2
ATTRACTION	EB/WB	LIMERICK FAMILY ENTERTAINMENT CENTER	4
	WB	RAVENS CLAW GOLF CLUB	3



\\SANATOGA\DEVELOPMENT\PROJECTS\2015\JOB\62518576-D01\MAPS\US-422\62518576_SANATOGA.PLAN
 2015/07/20/08:54:34

422
S.R. 4026 EVERGREEN ROAD
SANATOGA