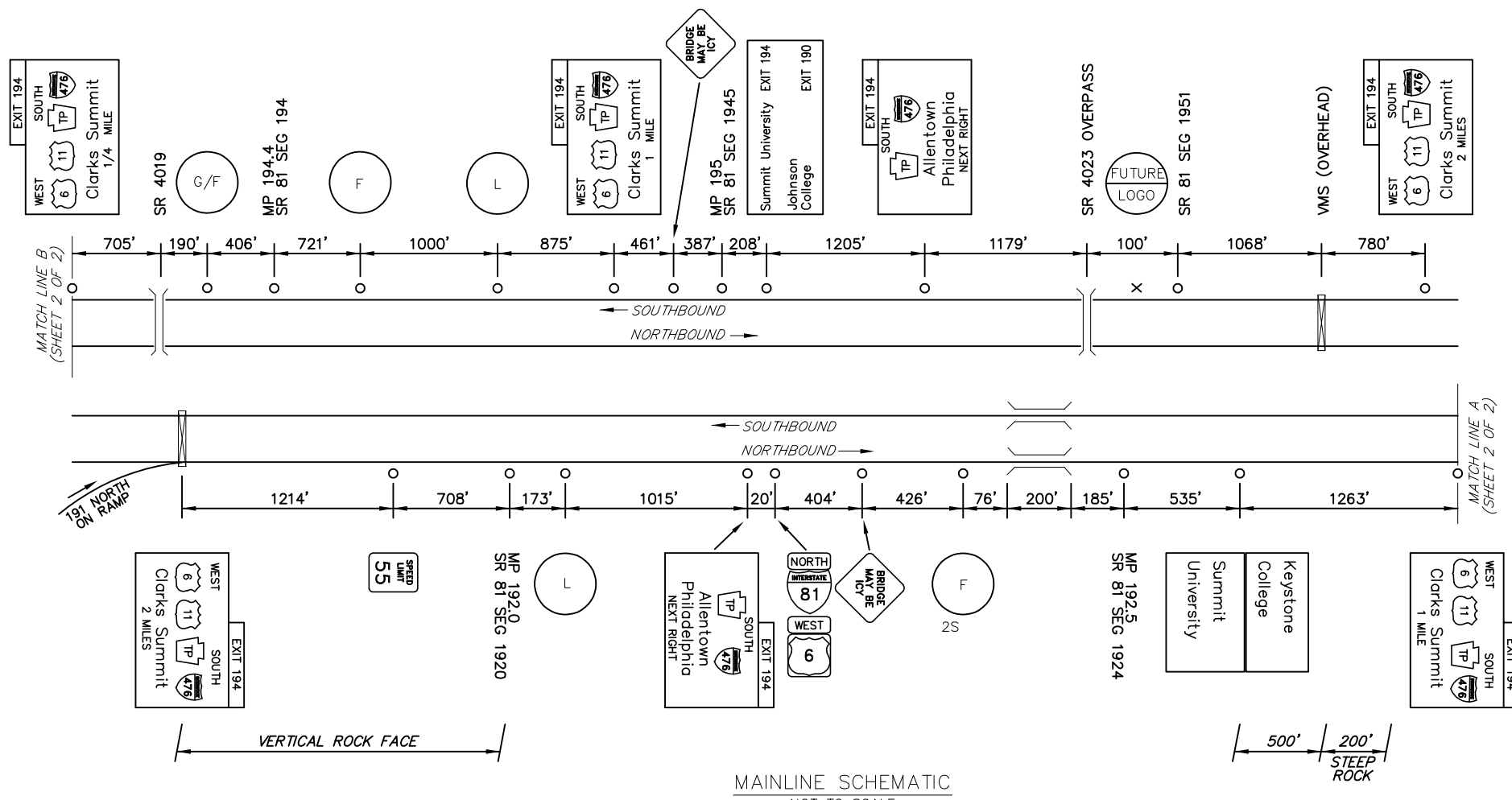


DISTRICT	COUNTY	ROUTE	PROJECT	SHEET
4-0	LACKAWANNA	SR 81	S. ABINGTON TOWNSHIP	
REVISIONS				



MAINLINE SCHEMATIC  
NOT TO SCALE

ITEM	UNIT	QUANTITY
POST MOUNTED SIGNS, TYPE A, LOGO	SQ.FT.	
POST MOUNTED SIGNS, TYPE A, LOGO (MODIFIED)	SQ.FT.	
POST MOUNTED SIGNS, TYPE C, LOGO	SQ.FT.	
BREAKAWAY SYSTEMS	EACH	-
* STEEL S OR W BEAM POSTS	LBS.	-
LOGO SIGN MOUNTING	EACH	
LOGO SIGN MOUNTING, RESET	EACH	
REMOVAL OF POST MOUNTED MOTORIST SERVICE SIGNS, TYPES A & E	EACH	-
REMOVAL OF POST MOUNTED MOTORIST SERVICE SIGNS, TYPES B, C & F	L.S.	

\* APPROXIMATE QUANTITY FOR INFORMATION ONLY

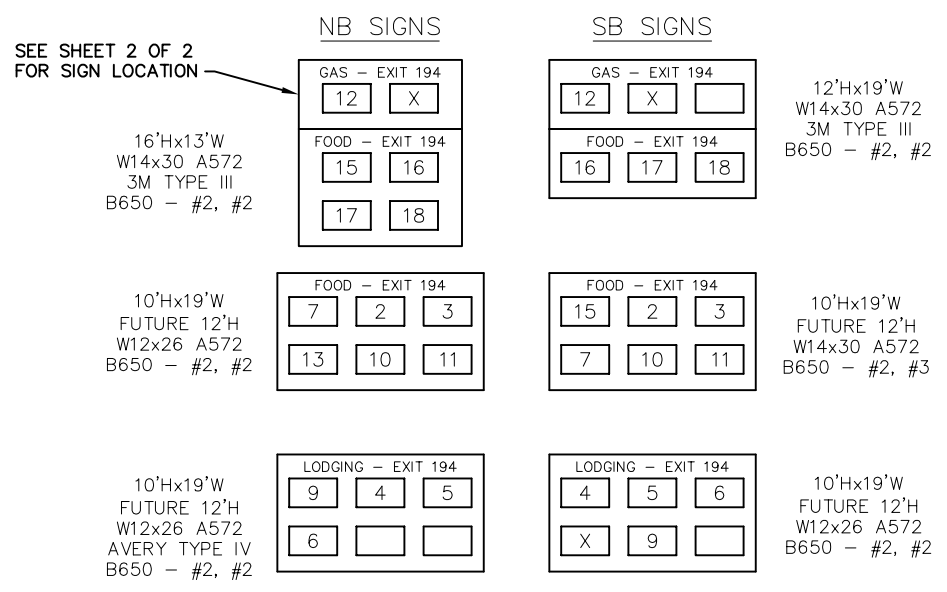
○	Existing Sign to Remain
△	Existing Sign to be Removed
◻	Existing Sign Reset as Shown
●	NEW SIGN
×	FUTURE SIGN
⊘	Existing Utility Pole

**LEGEND**

2S - GUIDE RAIL

FREEWAY LANE CLOSURES & RESTRICTIONS ONLY PERMITTED BETWEEN 9:00 PM AND 6:00 AM MONDAY THRU FRIDAY. WORK ALONG FREEWAY PERMITTED BETWEEN 9:00 AM AND 2:30 PM, UNLESS OTHERWISE APPROVED BY ENGINEERING DISTRICT. DO NOT WORK DURING HOLIDAY PERIODS. IF APPLICABLE, REINSTALL GUIDERAIL AT END OF EACH DAY.

LEGEND	DIRECTION	BUSINESS	LOGO NO.
GAS	NB/SB	SHEETZ (DIESEL)	12
FOOD	NB/SB	McDONALD'S	2
		WAFFLE HOUSE (24 HOURS)	3
		MOE'S SOUTHWEST GRILL	7
		WENDY'S	10
		KRISPY CREME DONUTS	11
		STARBUCKS	15
		TULLY'S FAMILY RESTAURANT	16
		TACO BELL	17
		DQ GRILL AND CHILL	18
			NB
LODGING	NB/SB	RAMADA	4
		HAMPTON INN	5
		COMFORT INN	9
		BEST WESTERN PLUS	6



  
**CLARKS SUMMIT**  
**EXIT 194**  
 SHEET 1 OF 2

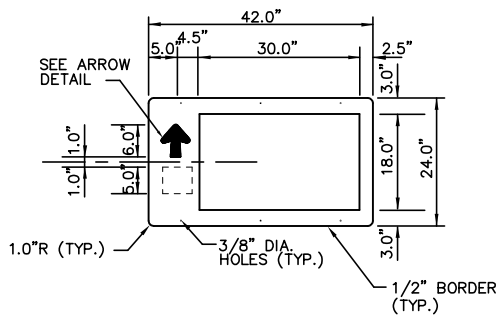
\DRAWINGS\PROJECTS\2018\08\215076-01\HW\SR\_81\_SEG\_194-BUILT DRAWINGS\PENDOT DISTRICT 04\LACKAWANNA - 35\10-xx-SR194-81-EXIT 194 PLAN.dwg 10/27/2021 10:34:44

FREEWAY LANE CLOSURES & RESTRICTIONS ONLY PERMITTED BETWEEN 9:00 PM AND 6:00 AM MONDAY THRU FRIDAY. WORK ALONG FREEWAY PERMITTED BETWEEN 9:00 AM AND 2:30 PM, UNLESS OTHERWISE APPROVED BY ENGINEERING DISTRICT. DO NOT WORK DURING HOLIDAY PERIODS. IF APPLICABLE, REINSTALL GUIDERAIL AT END OF EACH DAY.

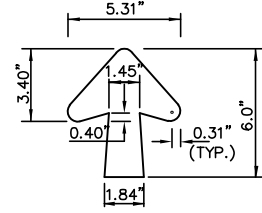
DISTRICT	COUNTY	ROUTE	PROJECT	SHEET
4-0	LACKAWANNA	SR 81	S. ABINGTON TOWNSHIP	
REVISIONS				

**SYMBOLS**

- Existing Sign to Remain
- △ Existing Sign to be Removed
- Existing Sign Reset as Shown
- Existing Sign Foundation
- NEW SIGN
- × FUTURE SIGN
- Ø Existing Utility Pole

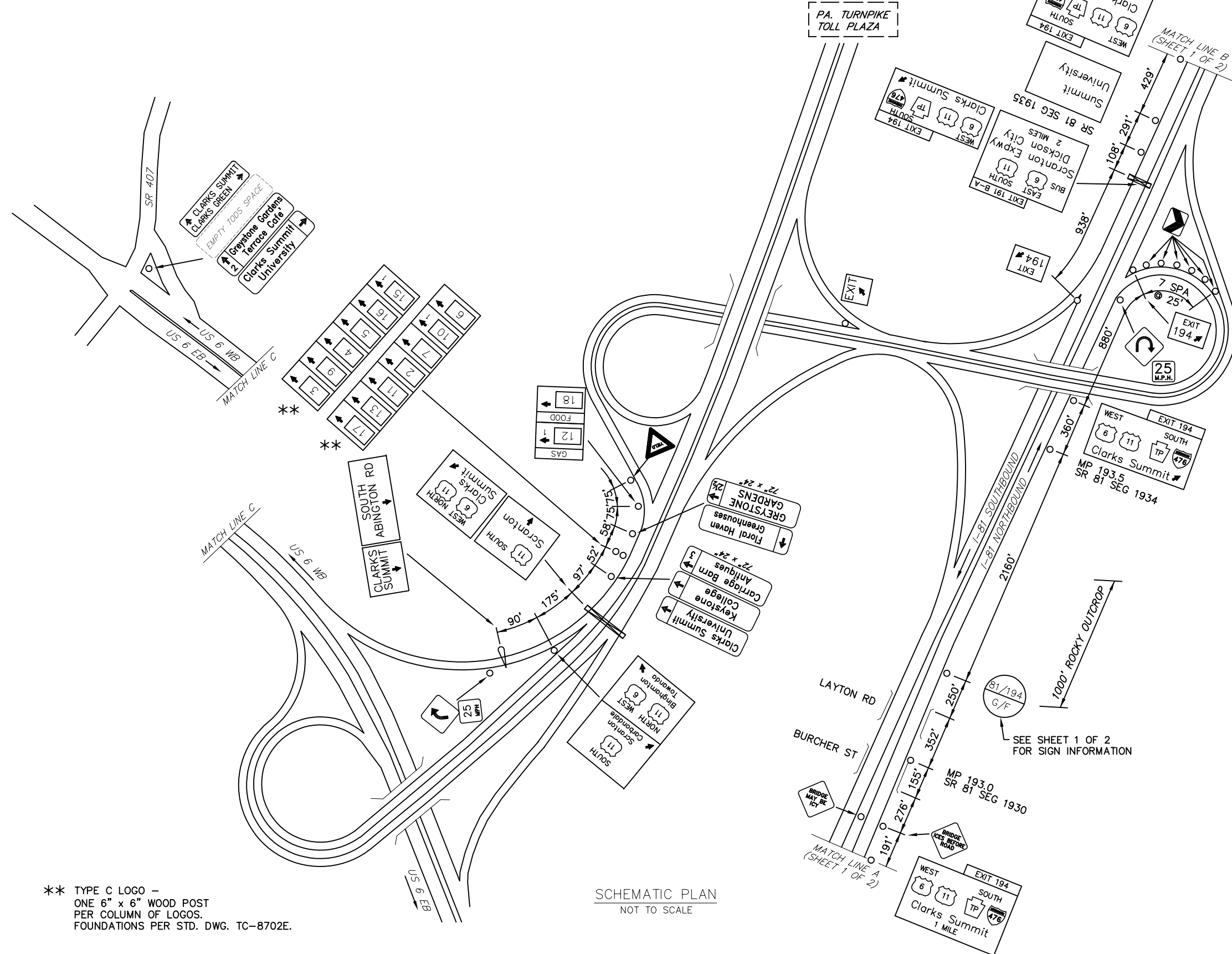


STRAIGHT AHEAD ARROW ON LEFT SIDE DETAIL  
NOT TO SCALE



MODIFIED TYPE K ARROW DETAIL  
NOT TO SCALE

- STARBUCKS 15
- SUBWAY 13
- McDONALD'S 2
- WAFFLE HOUSE 3
- MOE'S SW GRILL 7
- WENDY'S 10
- KRISPY KREME 11
- TULLY'S GOOD TIMES 16
- TACO BELL 17
- DQ GRILL AND CHILL 18
- RAMADA 4
- HAMPTON INN 5
- COMFORT INN 9
- BEST WESTERN PLUS 6
- SHEETZ 12



\*\* TYPE C LOGO -  
ONE 6" x 6" WOOD POST  
PER COLUMN OF LOGOS.  
FOUNDATIONS PER STD. DWG. TC-8702E.

SCHEMATIC PLAN  
NOT TO SCALE

\\DAMIAN\NET\DATA\PROJECTS\2018\81-194\BUILT\DRAWINGS\PENDOT DISTRICT 04\LACKAWANNA - 35\10-xx-210X-18-LENT 194 PLAN 2020/07/20 10:34:14