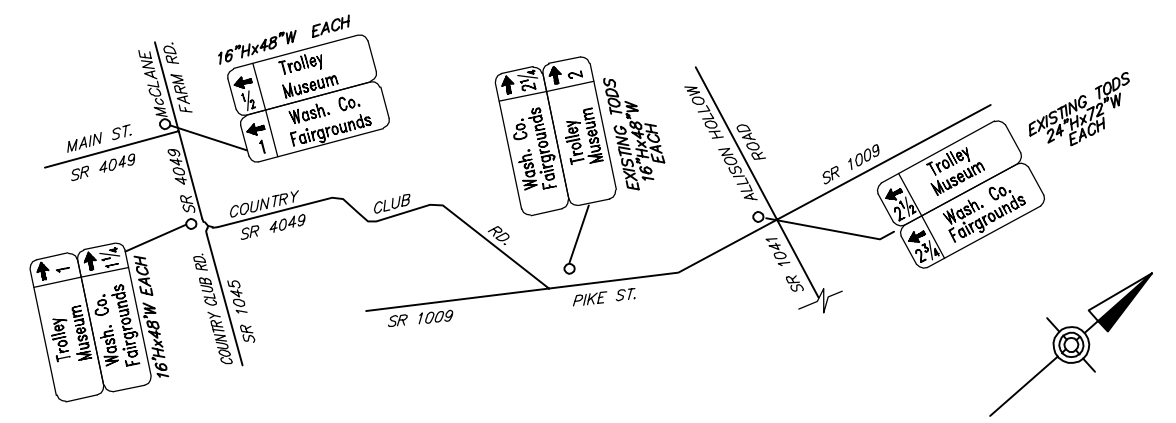
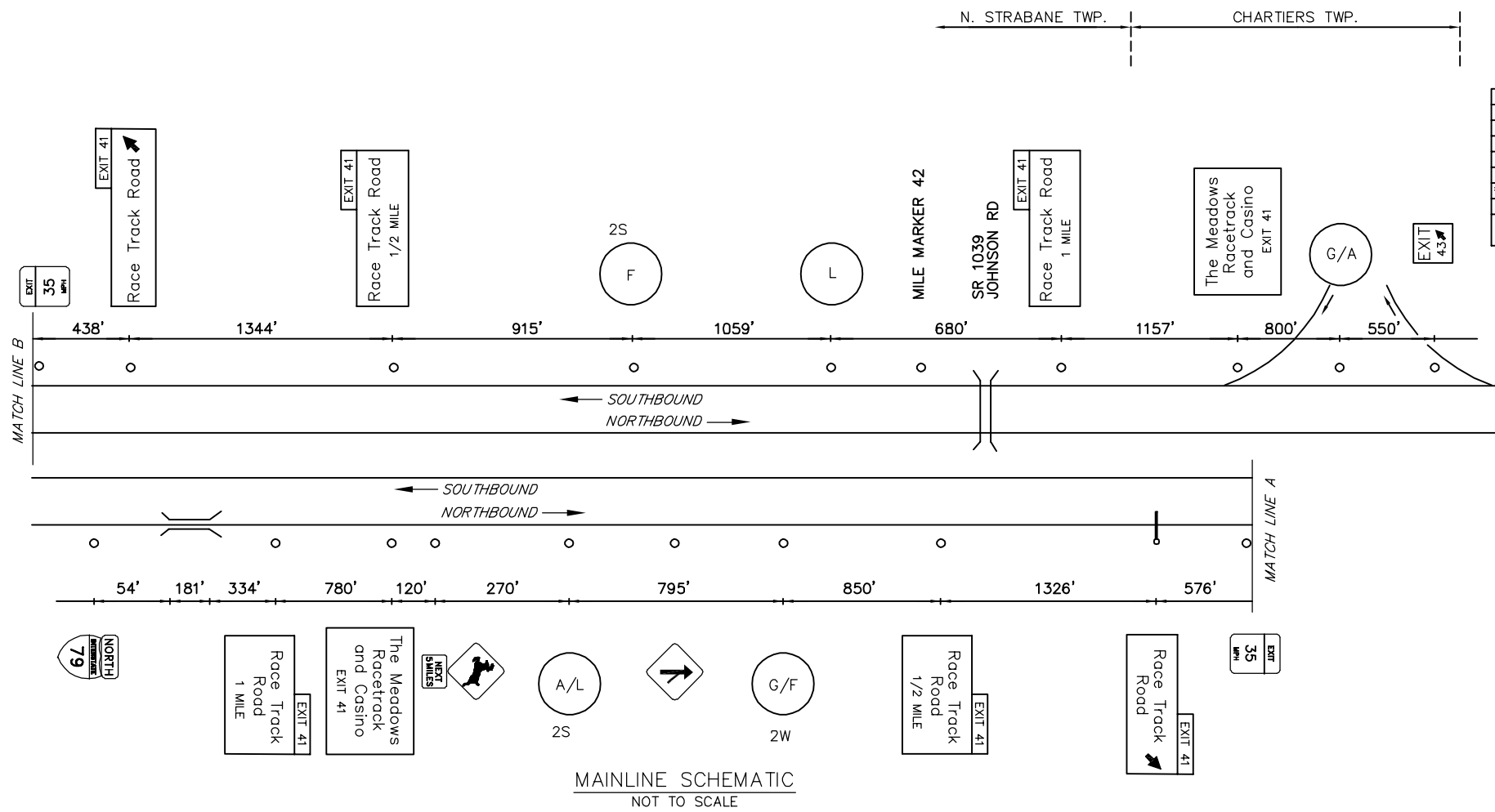


DISTRICT	COUNTY	ROUTE	PROJECT	SHEET
12-0	WASHINGTON	I-79		
CHARTIERS, NORTH STRABANE & SOUTH STRABANE TOWNSHIPS.				
REVISIONS				

TABULATION OF QUANTITIES		
ITEM	UNIT	QUANTITY
POST MOUNTED SIGNS, TYPE A, LOGO	SQ.FT.	
POST MOUNTED SIGNS, TYPE F, LOGO	SQ.FT.	
POST MOUNTED SIGNS, TYPE C, LOGO	SQ.FT.	
BREAKAWAY SYSTEMS	EACH	
* STEEL S OR W BEAM POSTS	LBS.	
LOGO SIGN MOUNTING	EACH	
REMOVAL OF POST MOUNTED MOTORIST SERVICE SIGNS, TYPES A, B, C, E & F	L.S.	-

\* APPROXIMATE QUANTITY FOR INFORMATION ONLY

SYMBOLS	
○	Existing Sign to Remain
△	Existing Sign to be Removed
◻	Existing Sign Reset as Shown
●	NEW SIGN
×	FUTURE SIGN
∅	Existing Utility Pole



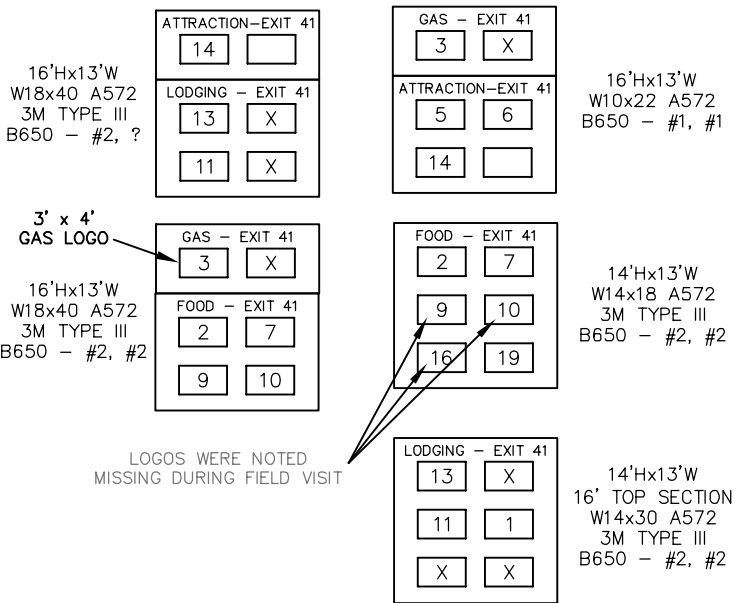
SCHMATIC PLAN  
NOT TO SCALE

LANE CLOSURES NOT PERMITTED. WORK ALONG FREEWAY PERMITTED BETWEEN 9:00 AM AND 2:00 PM, UNLESS OTHERWISE APPROVED BY ENGINEERING DISTRICT. DO NOT WORK DURING HOLIDAY. PERIODS IF APPLICABLE, REINSTALL GUIDERAIL AT END OF EACH DAY.

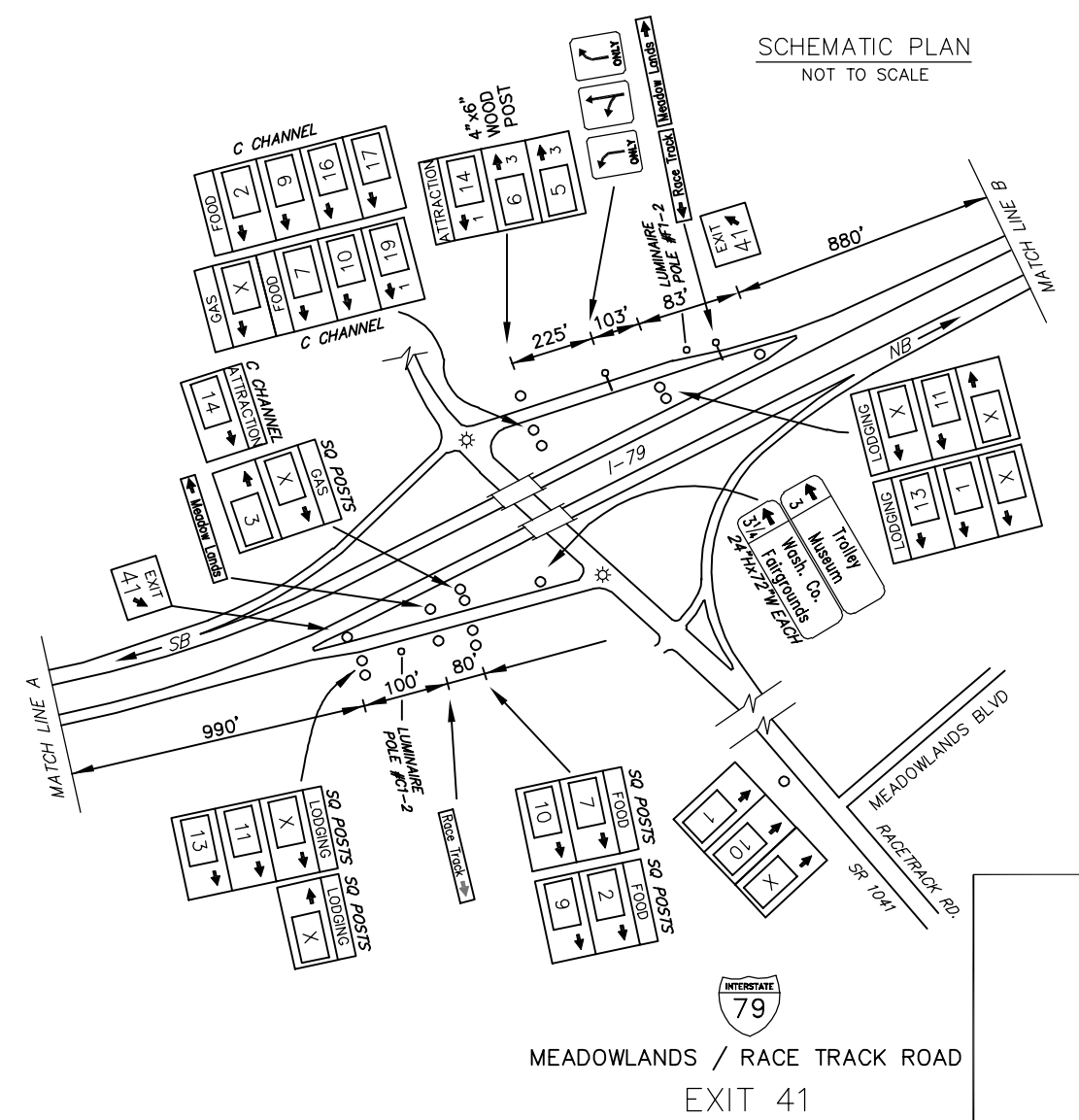
EXIT 41 SPECIFIC INFORMATION PANEL			
LEGEND	DIRECTION	BUSINESS	LOGO NO.
GAS	NB/SB	BP #7411	3
FOOD	NB/SB	McDONALD'S	2
		WENDY'S	7
		WAFFLE HOUSE (24 HRS)	9
	SB	BURGER KING	10
		PRIMANTI BROS	16
		PARLAY LOUNGE	17
LODGING	NB/SB	SHEETZ	19
		HAMPTON INN & SUITES	11
	FAIRFIELD INN & SUITES	13	
ATTRACTION	NB/SB	HYATT PLACE	1
		TANGER OUTLETS	14
	SB	PENNSYLVANIA TROLLEY MUSEUM	5
		WASHINGTON CO. AGRICULTURAL FAIR	6

NB SIGNS

SB SIGNS



LOGOS WERE NOTED MISSING DURING FIELD VISIT



MEADOWLANDS / RACE TRACK ROAD  
EXIT 41

DRAWING NO. 2014-001, PROJECT NO. 2014-001, DISTRICT 12, WASHINGTON COUNTY, ROUTE 1-79, EXIT 41, PLAN