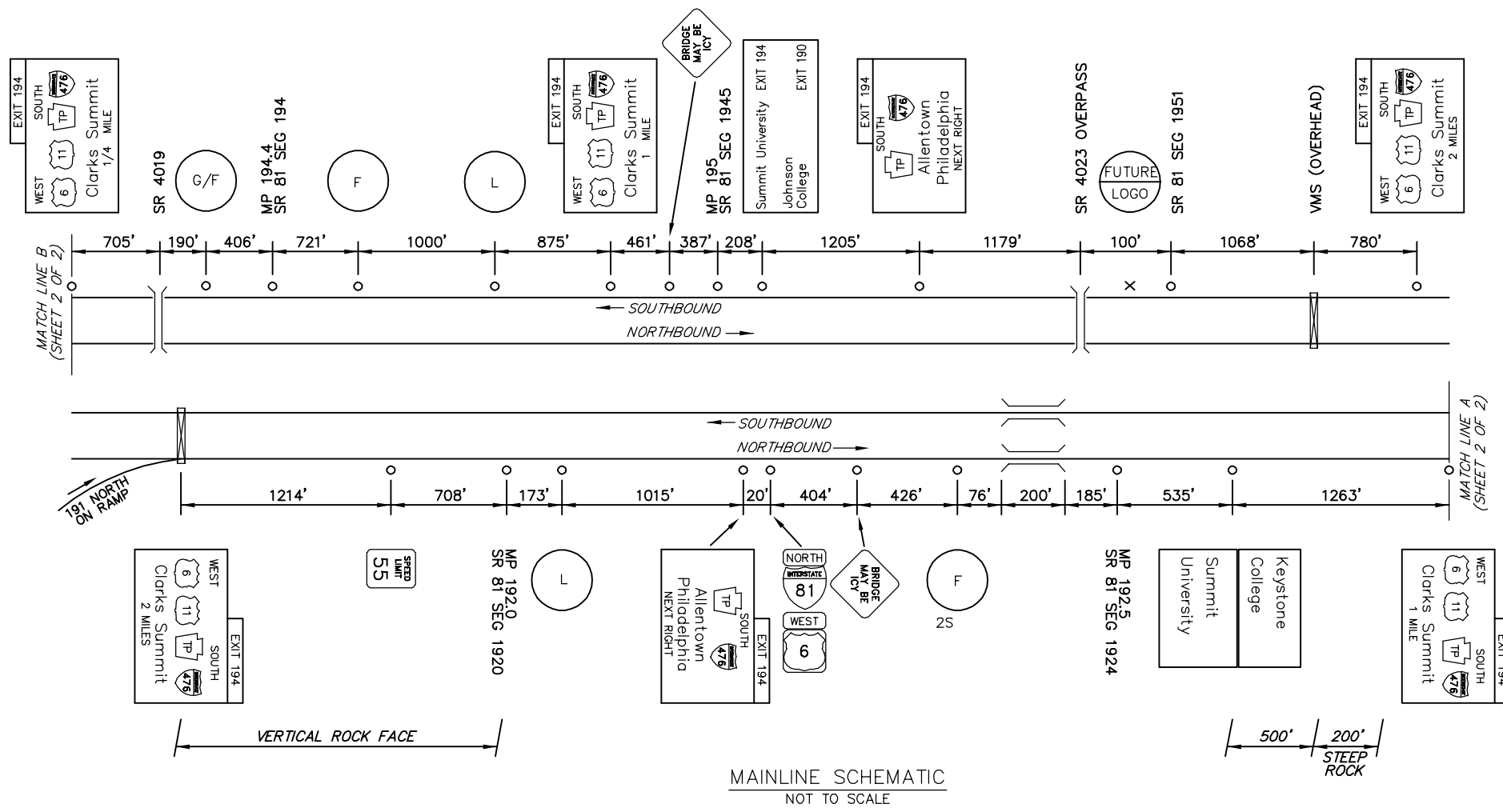


DISTRICT	COUNTY	ROUTE	PROJECT	SHEET
4-0	LACKAWANNA	SR 81	S. ABINGTON TOWNSHIP	
REVISIONS				



MAINLINE SCHEMATIC
NOT TO SCALE

TABULATION OF QUANTITIES		
ITEM	UNIT	QUANTITY
POST MOUNTED SIGNS, TYPE A, LOGO	SQ.FT.	
POST MOUNTED SIGNS, TYPE A, LOGO (MODIFIED)	SQ.FT.	
POST MOUNTED SIGNS, TYPE C, LOGO	SQ.FT.	
BREAKAWAY SYSTEMS	EACH	-
* STEEL S OR W BEAM POSTS	LBS.	-
LOGO SIGN MOUNTING	EACH	
LOGO SIGN MOUNTING, RESET	EACH	
REMOVAL OF POST MOUNTED MOTORIST SERVICE SIGNS, TYPES A & E	EACH	-
REMOVAL OF POST MOUNTED MOTORIST SERVICE SIGNS, TYPES B, C & F	L.S.	

* APPROXIMATE QUANTITY FOR INFORMATION ONLY

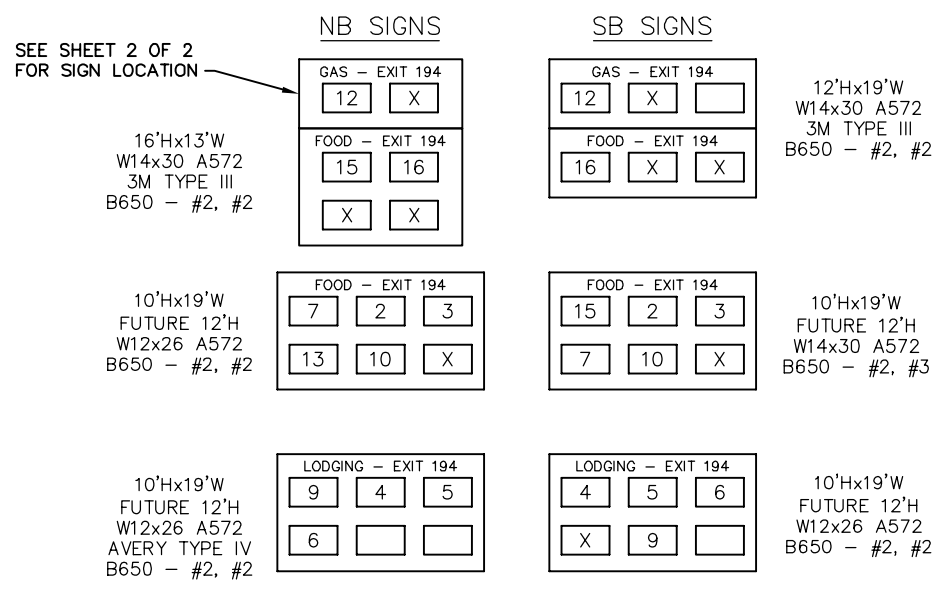
SYMBOLS	
○	Existing Sign to Remain
△	Existing Sign to be Removed
□	Existing Sign Reset as Shown
●	NEW SIGN
×	FUTURE SIGN
∅	Existing Utility Pole

LEGEND

2S - GUIDE RAIL

FREEWAY LANE CLOSURES & RESTRICTIONS ONLY PERMITTED BETWEEN 9:00 PM AND 6:00 AM MONDAY THRU FRIDAY. WORK ALONG FREEWAY PERMITTED BETWEEN 9:00 AM AND 2:30 PM, UNLESS OTHERWISE APPROVED BY ENGINEERING DISTRICT. DO NOT WORK DURING HOLIDAY PERIODS. IF APPLICABLE, REINSTALL GUIDERAIL AT END OF EACH DAY.

EXIT 194 SPECIFIC INFORMATION PANEL			
LEGEND	DIRECTION	BUSINESS	LOGO NO.
GAS	NB/SB	SHEETZ (DIESEL)	12
FOOD	NB/SB	McDONALD'S	2
		WAFFLE HOUSE (24 HOURS)	3
		MOE'S SOUTHWEST GRILL	7
		WENDY'S	10
		STARBUCKS	15
		TULLY'S FAMILY RESTAURANT	16
LODGING	NB/SB	SUBWAY	13
		RAMADA	4
		HAMPTON INN	5
		COMFORT INN	9
		BEST WESTERN PLUS	6




CLARKS SUMMIT
EXIT 194
 SHEET 1 OF 2

\DRAWING\02\14\PROJECTS\2015\05\15079-01\WV\194-VAS-BUILT-DRAWINGS\ENDNOT-DISTRICT-04\LACKAWANNA - 35\10-xx-310X--B1-EXIT 194 PLAN
 04/29/2015 11:14 AM

