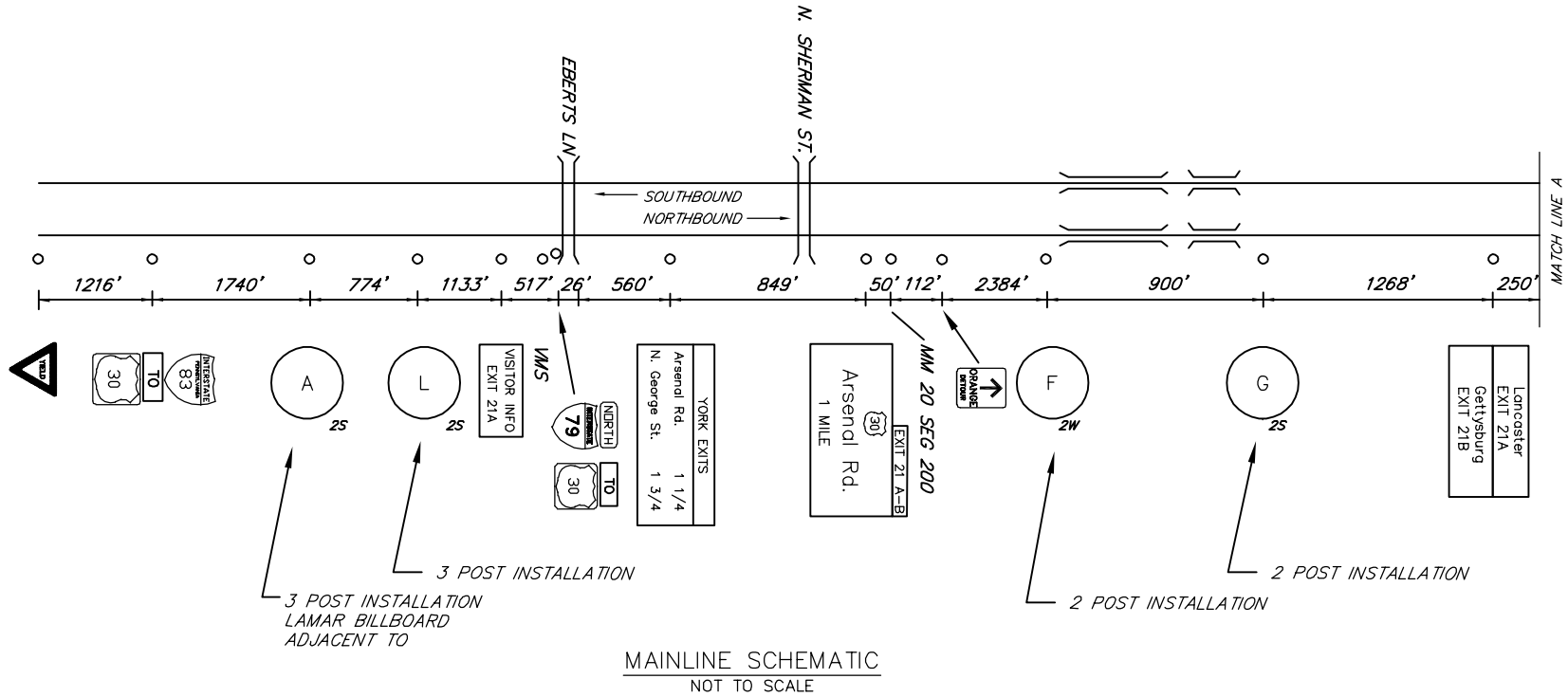


SB NOT ELIGIBLE - INSUFFICIENT SPACE



TABULATION OF QUANTITIES		
ITEM	UNIT	QUANTITY
POST MOUNTED SIGNS, TYPE A, LOGO	SQ.FT.	-
POST MOUNTED SIGNS, TYPE B, LOGO	SQ.FT.	-
POST MOUNTED SIGNS, TYPE C, LOGO	SQ.FT.	-
BREAKAWAY SYSTEMS	EACH	-
* STEEL S OR W BEAM POSTS	LBS.	-
LOGO SIGN MOUNTING	EACH	-
FLAT SHEET PANEL REPLACEMENT	SQ.FT.	-
EXTRUDED PANEL REPLACEMENT	SQ.FT.	-
REMOVAL OF POST MOUNTED MOTORIST SERVICE SIGNS, TYPES B, C & F	L.S.	-

\* APPROXIMATE QUANTITY FOR INFORMATION ONLY

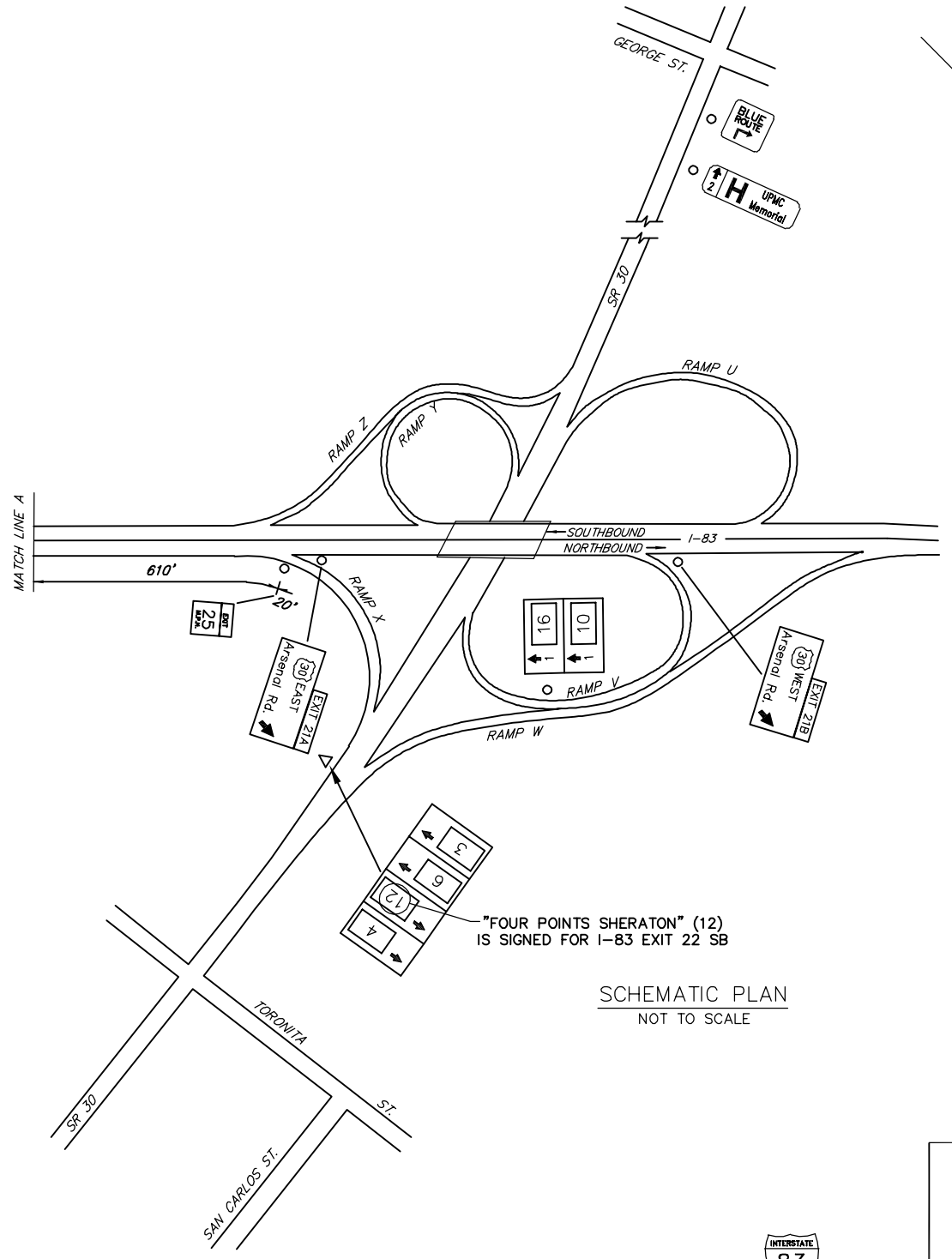
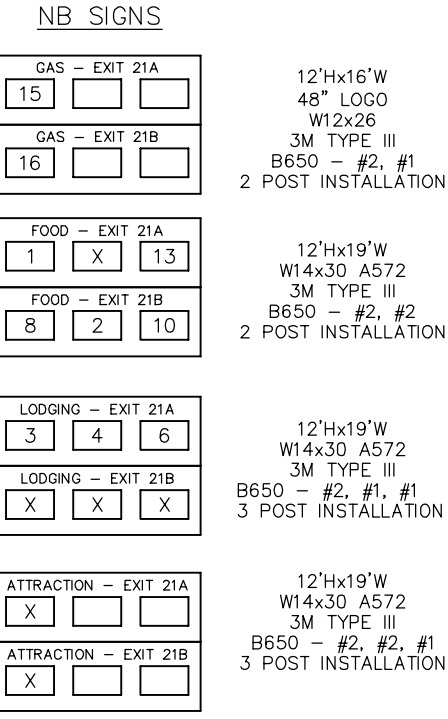
SYMBOLS	
○	Existing Sign to Remain
△	Existing Sign to be Removed
◻	Existing Sign Reset as Shown
●	NEW SIGN
×	FUTURE SIGN
∅	Existing Utility Pole

**LEGEND**

2S/2W - GUIDE RAIL

FREEWAY LANE CLOSURES & RESTRICTIONS ONLY PERMITTED BETWEEN 9:00 PM AND 6:00 AM MONDAY THRU FRIDAY. DO NOT WORK DURING HOLIDAY PERIODS.

EXIT 21 SPECIFIC INFORMATION PANEL			
LEGEND	DIRECTION	BUSINESS	LOGO NO.
GAS	21A NB	SHEETZ (DIESEL)	15
GAS	21B NB	RUTTER'S (24 HOURS/DIESEL)	16
FOOD	21A NB	STARBUCKS	1
		ROUND THE CLOCK DINER (24 HOURS)	13
	21B NB	WENDY'S	2
		HARDEE'S	8
		FRIENDLY'S	10
LODGING	21A NB	DAYS INN & SUITES	3
		MOTEL 6 (323 ARSENAL RD)	4
	21B NB	TRU BY HILTON	6
ATTRACTION	21A NB		
	21B NB		



**U.S. 30 ARSENAL ROAD**  
**EXIT 21**